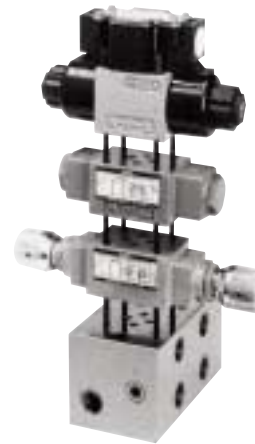


Friendly, Intelligent, Powerful

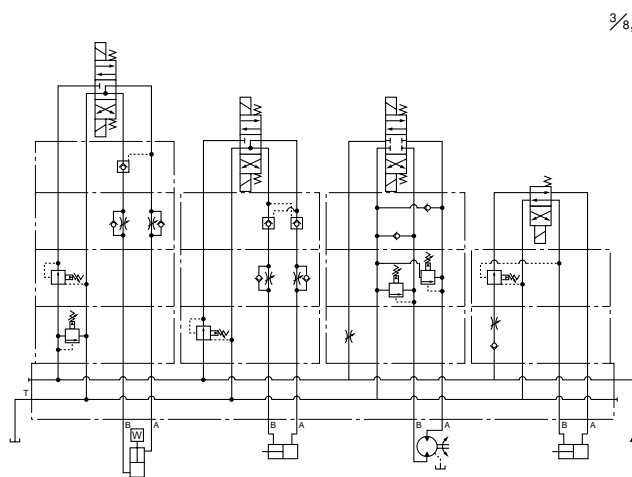
Modular Valves

YUKEN MODULAR VALVES are designed to simplify hydraulic systems, to eliminate the use of pipe connections and thus to save space, time and costs. The modular valves have standardized interfaces (ISO 4401, CETOP, NFPA) and thickness in accordance with each valve size. Any hydraulic circuit can be composed by stacking the modular valves in the correct sequence one upon another and bolting the various stacks to a common manifold base.

- Modular valves remarkably minimize the installing area and space.
- No expert skill is required to assemble, and furthermore, a supplement and a change to the circuit can easily and quickly be carried out.
- Problems such as oil leaks, vibration and noise which may arise from pipes and tubes are minimized because pipes and tubes are not necessary.
- Checks and maintenance of these valves can be performed with ease because of the method of installation.



Stacking Example



3/4, Solenoid Operated Directional Valve

Modular Valves

Base Plate



● 03 Series

Valve Type	Maximum Operating Pressure MPa	Max. Flow L/min										
		1	2	5	10	20	50	100	200	500	1000	
005 Series Modular Valves	25	[Flow range up to 15 L/min]										
01 Series Modular Valves	31.5	[Flow range up to 50 L/min] ★										
03 Series Modular Valves	25	[Flow range up to 100 L/min] ★										
06 Series Modular Valves	25	[Flow range up to 200 L/min]										
10 Series Modular Valves	25	[Flow range up to 500 L/min]										

★ Max Flow for Throttle and Check Modular Valves.